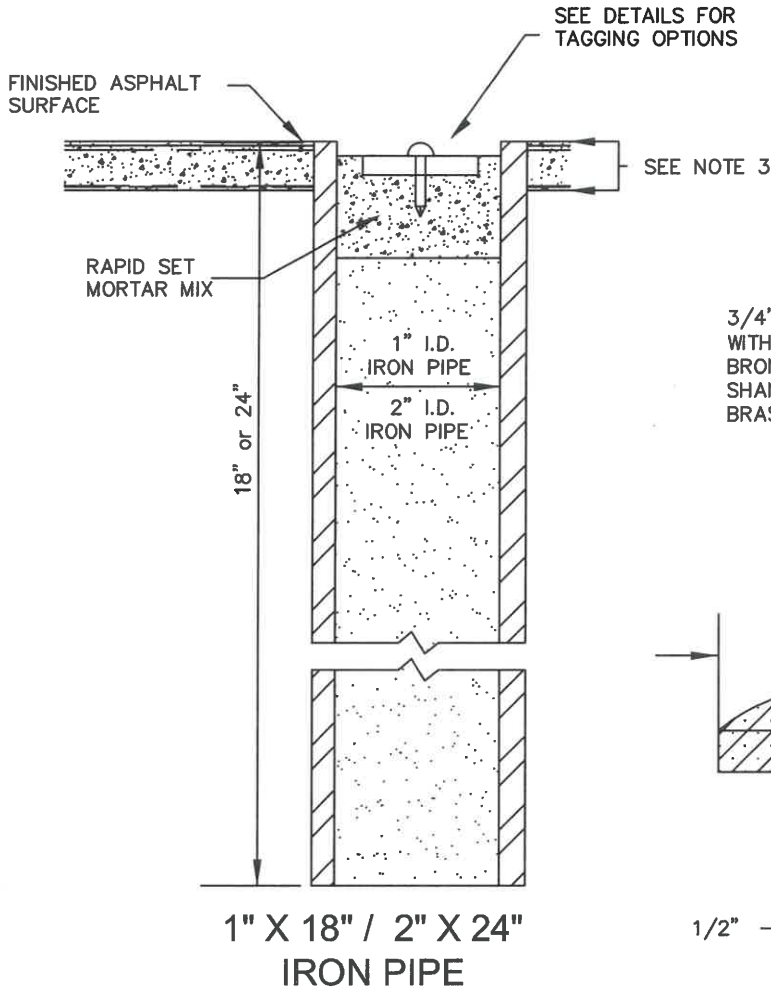
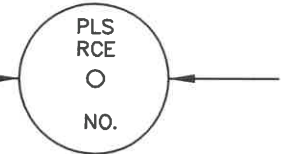


MONUMENT TYPE "B"

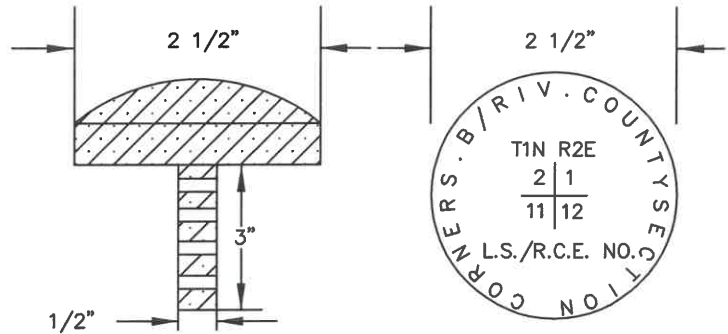


BRASS TAG

3/4" DIA. BRASS TAG WITH 3/4" LONG BRONZE, CORRUGATED SHANK NAIL OR 5/8" BRASS, ROUND NAIL.



DOMED BRASS DISK



NOTES

- 1" X 18" IRON PIPES WITH A 3/4" BRASS TAG ARE TO BE SET AT STREET CENTERLINE FOR ALL TRACT OR PARCEL MAP BOUNDARIES. IN ALL CASES A PARCEL MAP SHALL PROVIDE 1" X 18" IRON PIPE MONUMENTATION AT THE RIGHT-OF-WAY (R/W) LINES. REFER TO STANDARD DRAWINGS 6106 AND 6107.
- 2" X 24" IRON PIPES WITH A 3/4" BRASS TAG ARE TO BE SET FOR ALL TRACT OR PARCEL MAP BOUNDARY CORNERS AND ANGLE POINTS. A 2" X 24" IRON PIPE WITH A 2-1/2" BRASS DISK ARE REQUIRED AT ALL SECTION CORNERS AND QUARTER CORNERS. REFER TO STANDARD DRAWINGS 6106 AND 6107.
- MONUMENTS ARE TO BE SET AT GRADE OR RECESSED A MAXIMUM 1/4" BELOW ANY FINISHED ASPHALT SURFACE. REFER TO STANDARD DRAWING 6107.
- ALL IRON PIPES ARE TO BE FILLED WITH RAPID SET MORTAR MIX (ASTM-C928) WITH NAIL AND BRASS TAG/BRASS DISK SET FLUSH TO TOP OF PIPE. NO PARAMARK OR PLASTIC SURVEY MARKERS WILL BE ACCEPTED. REFER TO STANDARD DRAWING 6107.



APPROVED BY:		5-22-24	
<i>[Signature]</i>		62809	DATE
KHAI DO, CITY ENGINEER		RCE	
RECOMMENDED:		70990 5/22/24	
<i>[Signature]</i>		RCE	DATE
BRYAN LIRLEY, ASSISTANT CITY ENGINEER		RCE	
REV	DESCRIPTION	BY	APP'D DATE

CITY OF ONTARIO

MONUMENT
1"X18" IRON PIPE
2"X24" IRON PIPE

STANDARD
DRAWING
NUMBER

6103