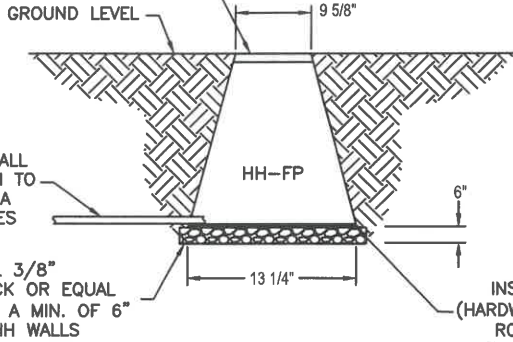
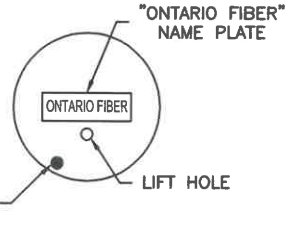


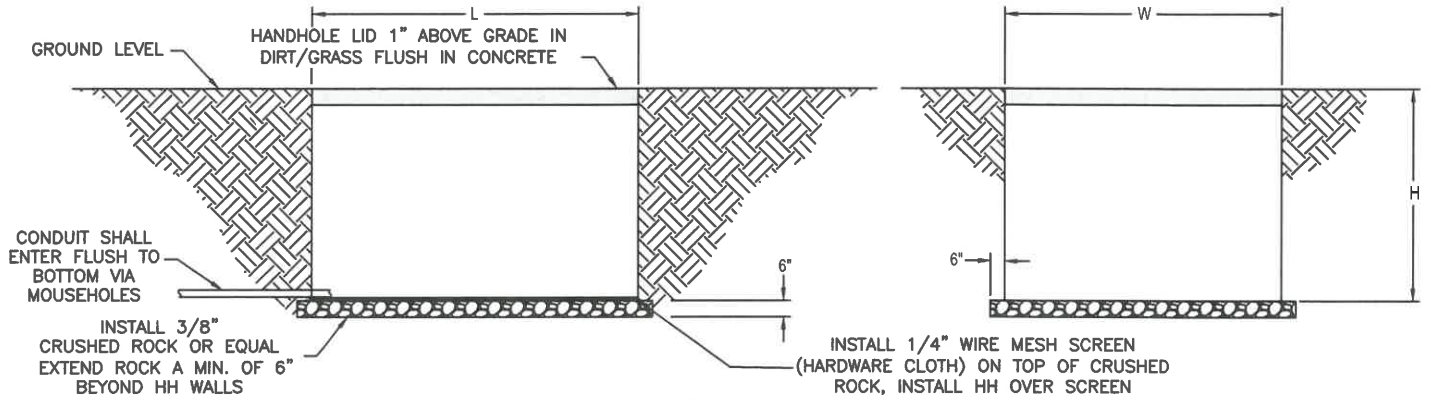
FLOWER POT LID 1" ABOVE GRADE
IN DIRT/GRASS FLUSH IN CONCRETE



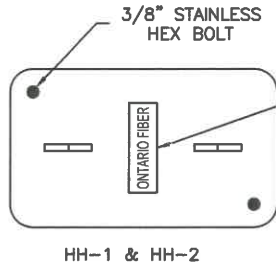
TYPICAL FLOWER POT INSTALLATION (HH-FP)
NOT TO SCALE



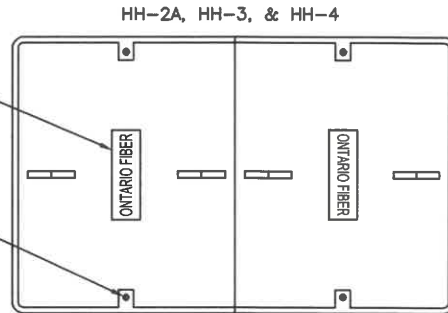
FLOWER POT LID DETAIL
NOT TO SCALE



TYPICAL HANHOLE INSTALLATION (HH-1, HH-2, HH-2A, HH-3, & HH-4)
NOT TO SCALE



TYPICAL LID DETAIL
NOT TO SCALE





HANDHOLE ASSEMBY (BOX & COVER)

PART NUMBER	Description (LXWXH)	NewBasis Part #	NewBasis Lid #	Oldcastle Part #	ArmorcastPart #
TYPE HH-4/*22	Polymer Concrete 36"x60"x36"	PCA366036-90146	PCC2660P2	366036PC22	A6001436HDAPCX36
TYPE HH-3/*22	Polymer Concrete 30"x48"x36"	PCA304836-90244	PCC3048P2	304836PC22	A6001430HDAPCX36
TYPE HH-2A/*22	Polymer Concrete 24"x36"x30"	PCA243630-90064	PCC2436P1	243630PC22	A6001974HDAPCX30
TYPE HH-2A/*15	Polymer Concrete 24"x36"x30"	FCA243630T-90014	PCC2436P1	243630PC15	A6001974TAPCX30
TYPE HH-2/*22	Polymer Concrete 17"x30"x24"	PCA173024-90116	PCC1730P1	173024PC22	A6001640HDAPCX24
TYPE HH-2/*15	Polymer Concrete 17"x30"x24"	FCA173024T-90077	PCC1730P1	173024PC15	A6001640TAPCX24
TYPE HH-1/*22	Polymer Concrete 13"x24"x18"	PCA132418-90087	PCC1324P1	134218PC22	A6001946HDAPCX18
TYPE HH-1/*15	Polymer Concrete 13"x24"x18"	FCA132418T-90062	PCC1324P1	134218PC15	A6001946TAPCX18
TYPE HH-FP	Plastic 10"x10"	PLA100010T-00002	SGC100E1N	-	-

* INDICATES TIER 15 OR 22

HANDHOLES SHALL BE AS OUTLINED GRAY IN COLOR OR EQUAL ALTERNATE APPROVED IN WRITING BY THE CITY ENGINEER. HH-FP SHALL HAVE A BASE COLOR BLACK, LID COLOR GREEN. ALL LIDS MUST HAVE BOLT DOWN HARDWARE AND NAME PLATE AREA AS SHOWN FOR FUTURE INSTALLATION.

APPROVED BY:  10-31-24
DATE
KHOI DO, CITY ENGINEER RCE: 62809
RECOMMENDED BY:  10/30/24
DATE
BRYAN LIRLEY, ASSISTANT CITY ENGINEER RCE: 70990

CITY OF ONTARIO

**HANDHOLE PLACEMENT
DETAIL**

STANDARD
DRAWING
NUMBER
1316

