





Table-A Minimum Header Sizes					
Single Size	Max Post Spacing		Double Size	Max Post Spacing	
	Solid	Lattice		Solid	Lattice
4 X 4	5'-2"	6'-4"	(2) 2 X 4	5'-1"	5'-11"
4 X 6	8'-2"	10'-0"	(2) 2 X 6	7'-7"	9'-4"
4 X 8	11'-2"	13'-3"	(2) 2 X 8	9'-11"	12'-4"
4 X 10	13'-7"	16'-11"	(2) 2 X 10	12'-1"	15'-8"
4 X 12	15'-9"	20'-6"	(2) 2 X 12	13'-11"	19'-1"
6 X 6	9'-5"	11'-5"	(2) 3 X 6	9'-9"	12'-8"
6 X 8	11'-11"	15'-7"	(2) 3 X 8	12'-10"	15'-11"
6 X 10	16'-4"	19'-9"	(2) 3 X 10	15'-7"	22'-3"

Table-B Rafter Size & Spacing												
Rafter Size	Lattice Roof Rafter Spacing o.c.							Solid Roof Rafter Spacing o.c.				
	16"	24"	32"	36"	48"	60"	72"	16"	24"	32"	36"	48"
2 X 4	11'-6"	10'-0"	7'-11"	7'-7"	6'-11"	6'-5"	6'-1"	9'-1"	7'-11"	7'-2"	6'-11"	6'-3"
2 X 6	18'-1"	15'-5"	12'-6"	12'-1"	10'-11"	10'-1"	9'-6"	13'-10"	12'-6"	11'-4"	10'-11"	9'-11"
2 X 8	23'-10"	20'-11"	16'-6"	15'-10"	14'-5"	13'-4"	12'-7"	18'-10"	16'-6"	14'-11"	14'-5"	13'-1"
2 X 10		26'-6"	20'-11"	20'-2"	18'-4"	17'-0"	16'-0"	24'-0"	20'-11"	19'-0"	18'-4"	16'-7"
4 X 4		11'-7"	10'-6"	10'-1"	9'-2"	8'-6"	8'-0"	21'-1"	10'-6"	9'-7"	9'-2"	8'-4"
4 X 6		18'-2"	16'-6"	15'-10"	14'-5"	13'-4"	12'-7"	18'-10"	16'-6"	14'-11"	14'-5"	13'-1"
4 X 8		24'-1"	21'-10"	21'-0"	19'-1"	17'-3"	16'-8"	23'-1"	21'-10"	19'-10"	19'-1"	17'-4"
4 X 10					24'-4"	22'-7"	21'-3"			25'-4"	24'-4"	22'-1"

NOTE: After prolong period of time 2X4 rafter spanning more than 8'-0" may deflect permanently and give an objectionable appearance. It is therefore recommended for rafter span exceeding 8 feet, a minimum size of 2X6 be used.

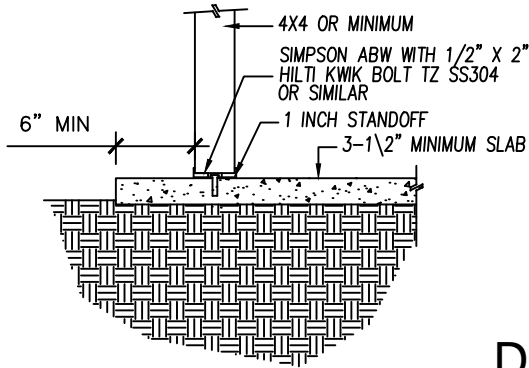
Table-C Minimum Footing Size										
Post Spacing	Roof Rafter Span									
	6'-0"	8'-0"	10'-0"	12'-0"	14'-0"	16'-0"	18'-0"	20'-0"		
4'-0"	18" sq	18" sq	18" sq	18" sq	18" sq	18" sq	20" sq	20" sq	18" Deep	
6'-0"	18" sq	18" sq	20" sq	20" sq	20" sq	22" sq	22" sq	22" sq		
8'-0"	20" sq	20" sq	20" sq	22" sq	22" sq	24" sq	24" sq	26" sq		
10'-0"	20" sq	22" sq	22" sq	24" sq	24" sq	26" sq	26" sq	28" sq	24" Deep	
12'-0"	22" sq	22" sq	24" sq	26" sq	26" sq	28" sq	28" sq	30" sq		
14'-0"	22" sq	24" sq	26" sq	26" sq	28" sq	28" sq	30" sq	30" sq		
16'-0"	24" sq	26" sq	26" sq	28" sq	30" sq	30" sq	33" sq	33" sq		
18'-0"	26" sq	26" sq	28" sq	30" sq	30" sq	33" sq	33" sq	36" sq		
20'-0"	26" sq	28" sq	30" sq	30" sq	33" sq	33" sq	36" sq	36" sq		
	18" Deep			24" Deep						

Table-D Roof Type	
2" X 2" Self Spaced Lattice -----	4'-0" max span
2" X 4" Self Spaced Lattice on edge -----	7'-0" max span
OR	
$\frac{15}{32}$ CDX plywood or $\frac{1}{2}$ " oriented strand board with 8D @ 6" o.c. edge/boundary & 12" o.c. field nailing. Use roll or hot mop roof cover only. Rafter size 2 X10 or greater shall be provided with 2X blocking @ 8 feet o.c. max.	

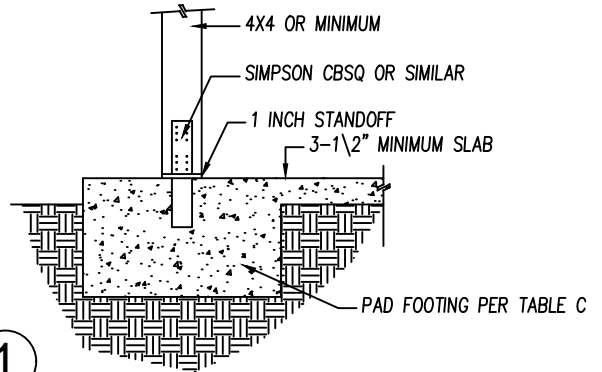
DISCLAIMER: Alternate patio design may be possible when provided with an engineered analysis. Use of this conventional standard design is at the user's risk and carries no implied or inferred guarantee against failure or defects.

# CITY OF ONTARIO

NOTE: If slab is to be used as foundation, the post shall be supporting a roof with tributary area not more than (40) forty square feet.

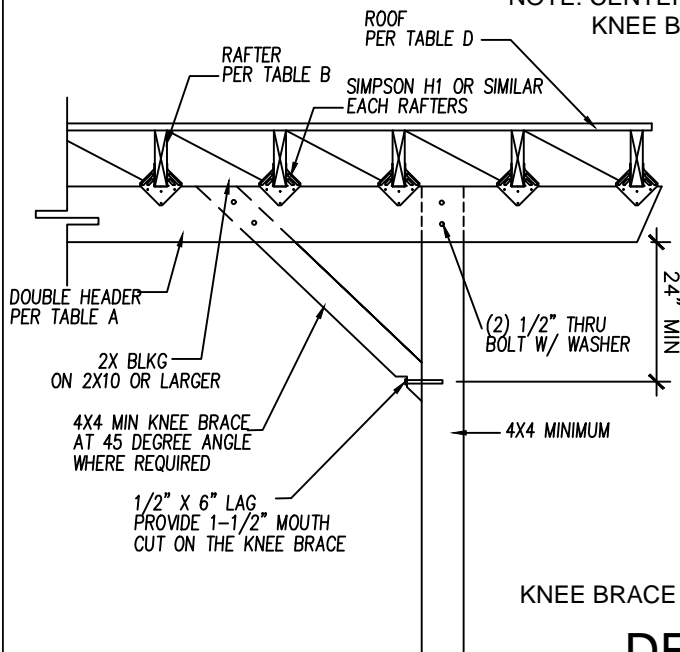


OR

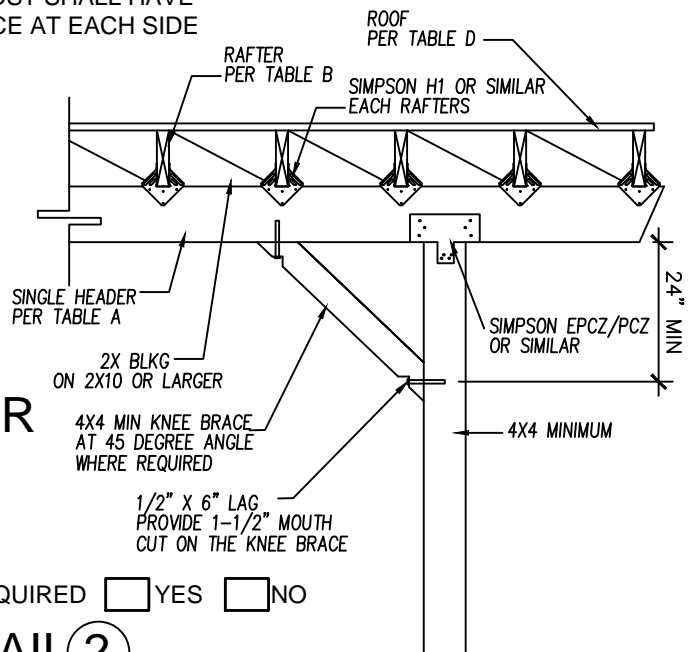


DETAIL 1

NOTE: CENTER POST SHALL HAVE KNEE BRACE AT EACH SIDE



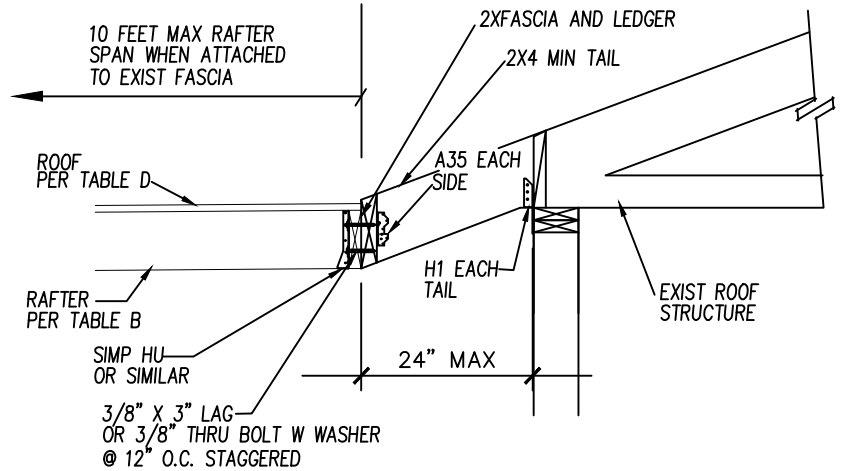
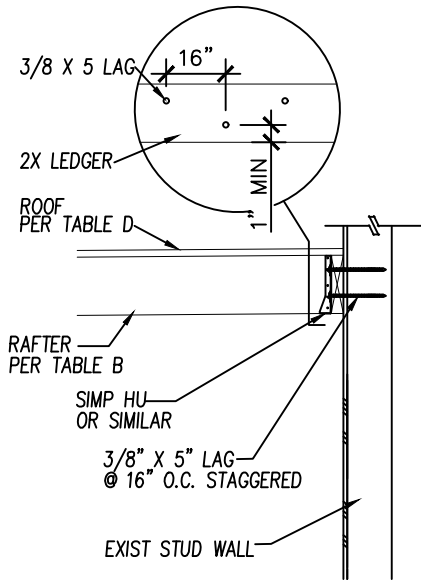
OR



KNEE BRACE REQUIRED  YES  NO

DETAIL 2

DISCLAIMER: Alternate patio design may be possible when provided with an engineered analysis. Use of this conventional standard design is at the user's risk and carries no implied or inferred guarantee against failure or defects.



NOTE: EXISTING FASCIA DEPTH SHALL NOT BE SMALLER THAN LEDGER TO BE ATTACHED.

## DETAIL 3

USE BLANK SPACE BELOW FOR PROPOSED ALTERNATIVE DETAIL

- Required inspections:**
1. Foundation or slab attachment.
  2. Roof sheathing (For solid roof only)
  3. Final inspection